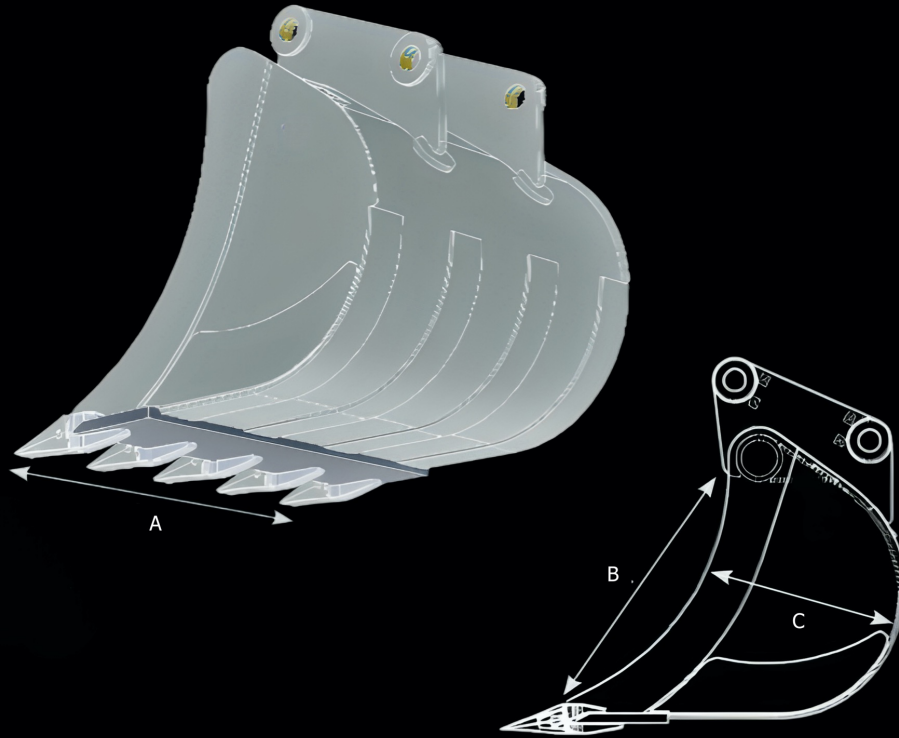


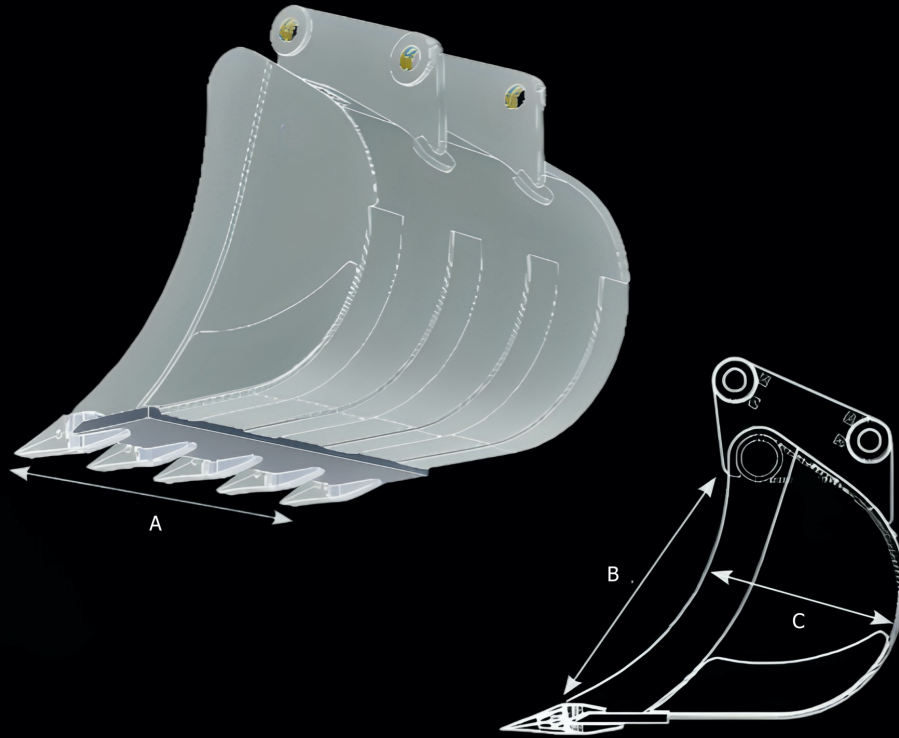
9-12,5 ton excavator bucket

Code	A(mm)	B(mm)	C(mm)	Capacity (L)	Weight (kg)
AGG-030	300	806	531	80	165
AGG-040	400	806	531	124	185
AGG-050	500	806	531	169	209
AGG-060	600	806	531	216	228
AGG-070	700	806	531	264	253
AGG-080	800	806	531	321	275
AGG-090	900	806	531	371	303
AGG-100	1000	806	531	422	341
AGG-110	1100	806	531	474	361



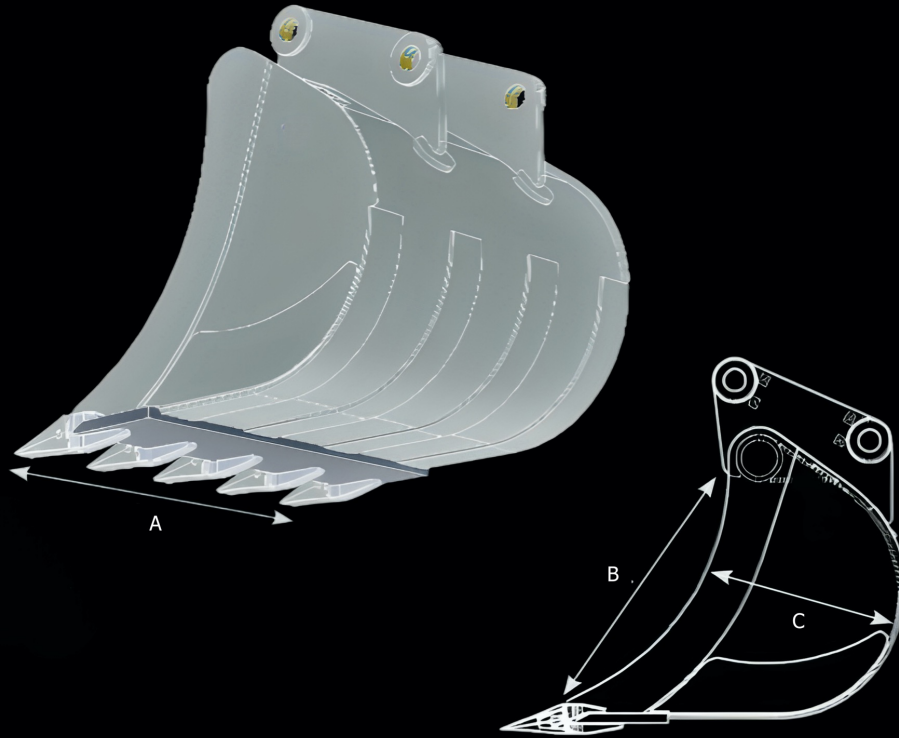
12,5-16 ton excavator bucket

Code	A(mm)	B(mm)	C(mm)	Capacity (L)	Weight (kg)
AGG-1-040	400	934	591	149	268
AGG-1-050	500	934	591	204	292
AGG-1-060	600	934	591	259	318
AGG-1-070	700	934	591	326	365
AGG-1-080	800	934	591	387	391
AGG-1-090	900	934	591	449	415
AGG-1-010	1000	934	591	512	449
AGG-1-110	1100	934	591	574	478
AGG-1-120	1200	934	591	641	502



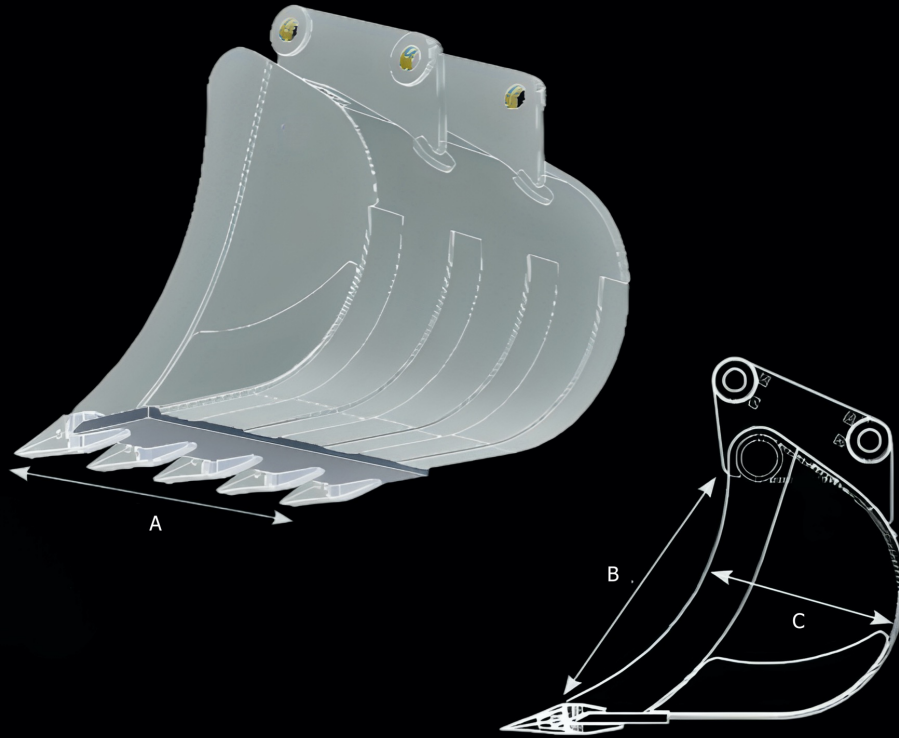
16-19 ton excavator bucket

Code	A(mm)	B(mm)	C(mm)	Capacity (L)	Weight (kg)
AGG-2-040	400	1000	649	171	324
AGG-2-050	500	1000	649	233	346
AGG-2-060	600	1000	649	298	381
AGG-2-070	700	1000	649	375	439
AGG-2-080	800	1000	649	444	475
AGG-2-090	900	1000	649	515	501
AGG-2-010	1000	1000	649	587	546
AGG-2-110	1100	1000	649	661	479
AGG-2-120	1200	1000	649	735	611



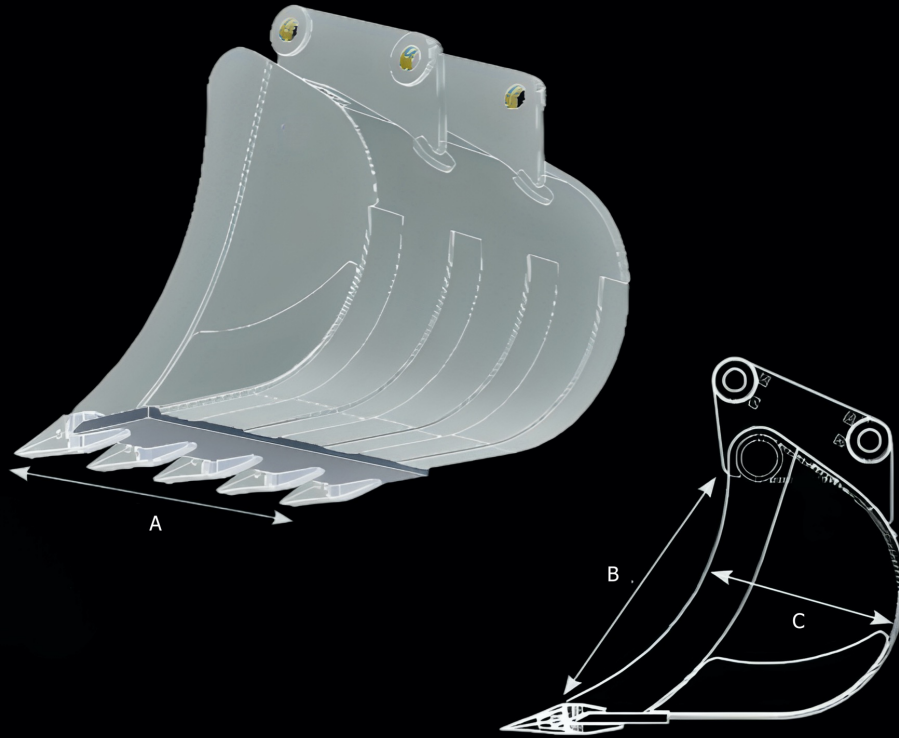
19-23 ton excavator bucket

Code	A(mm)	B(mm)	C(mm)	Capacity (L)	Weight (kg)
AGG-3-040	400	1086	714	208	389
AGG-3-050	500	1086	714	284	406
AGG-3-060	600	1086	714	363	447
AGG-3-070	700	1086	714	444	505
AGG-3-080	800	1086	714	543	581
AGG-3-090	900	1086	714	629	604
AGG-3-010	1000	1086	714	716	676
AGG-3-110	1100	1086	714	805	715
AGG-3-120	1200	1086	714	896	756



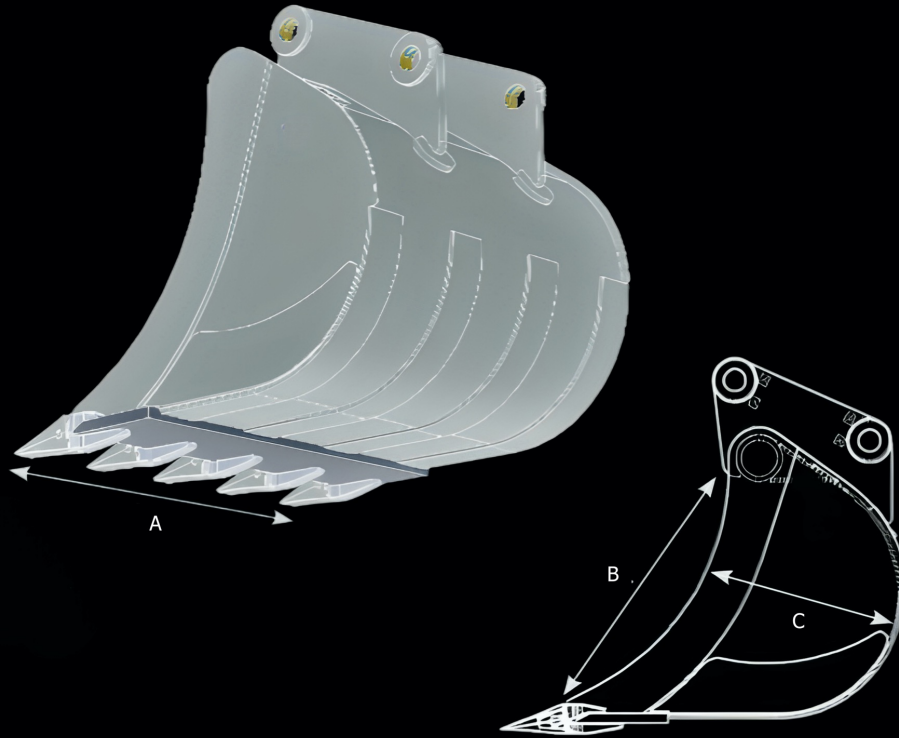
23-26 ton excavator bucket

Code	A(mm)	B(mm)	C(mm)	Capacity (L)	Weight (kg)
AGG-3-040	500	1086	714	326	498
AGG-3-050	600	1086	714	416	528
AGG-3-060	700	1086	714	511	588
AGG-3-070	800	1086	714	624	653
AGG-3-080	900	1086	714	721	701
AGG-3-090	1000	1086	714	821	739
AGG-3-010	1100	1086	714	1027	866
AGG-3-110	1200	1086	714	1131	888
AGG-3-120	1300	1086	714	1238	939



26-31 ton excavator bucket

Code	A(mm)	B(mm)	C(mm)	Capacity (L)	Weight (kg)
AGG-3-040	600	1251	901	521	752
AGG-3-050	700	1251	901	637	817
AGG-3-060	800	1251	901	785	888
AGG-3-070	900	1251	901	907	959
AGG-3-080	1000	1251	901	1031	1036
AGG-3-090	1200	1251	901	1286	1119
AGG-3-010	1300	1251	901	1415	1186
AGG-3-110	1400	1251	901	1545	1218
AGG-3-120	1500	1251	901	1679	1291



31-38 ton excavator bucket

Code	A(mm)	B(mm)	C(mm)	Capacity (L)	Weight (kg)
AGG-4-080	800	1266	941	874	998
AGG-4-090	900	1266	941	1015	1081
AGG-4-100	1000	1266	941	1157	1156
AGG-4-120	1200	1266	941	1448	1241
AGG-3-130	1300	1266	941	1595	1306
AGG-3-140	1400	1266	941	1743	1371
AGG-3-150	1500	1266	941	1990	1435
AGG-3-160	1600	1266	941	2037	1503
AGG-3-170	1700	1266	941	2183	1641