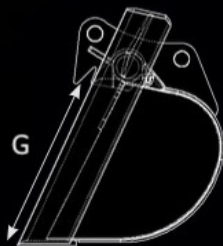
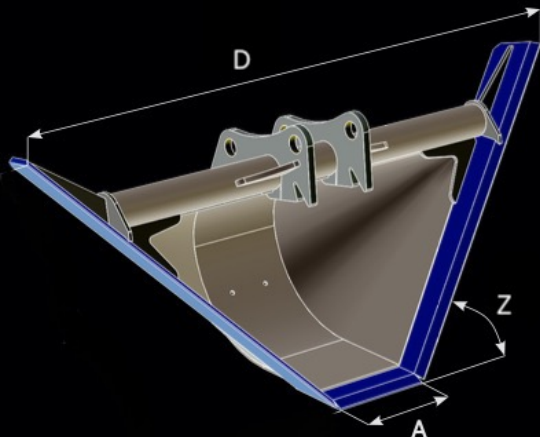


| Code | Z Degree | A(mm) | D(mm) | G (mm) | Weight (kg) | Capacity (Lt) |
|------------|----------|-------|-------|--------|-------------|---------------|
| TRP-030 | 45 | 300 | 2279 | 751 | 286 | 321 |
| TRP-030-52 | 52 | 300 | 1846 | 751 | 251 | 291 |
| TRP-30-60 | 60 | 300 | 1445 | 751 | 216 | 261 |



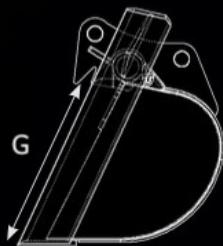
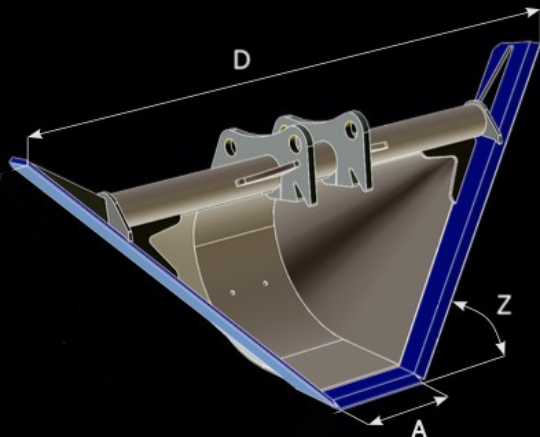
**9,5-12,5 ton
excavator bucket**



| Code | Z Degree | A(mm) | D(mm) | G(mm) | Weight (kg) | Capacity (Lt) |
|------------|----------|-------|-------|-------|-------------|---------------|
| TRP-040 | 45 | 400 | 2401 | 790 | 286 | 576 |
| TRP-040-52 | 52 | 400 | 1901 | 790 | 251 | 511 |
| TRP-40-60 | 60 | 400 | 1601 | 790 | 216 | 471 |



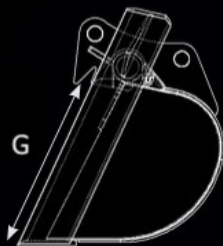
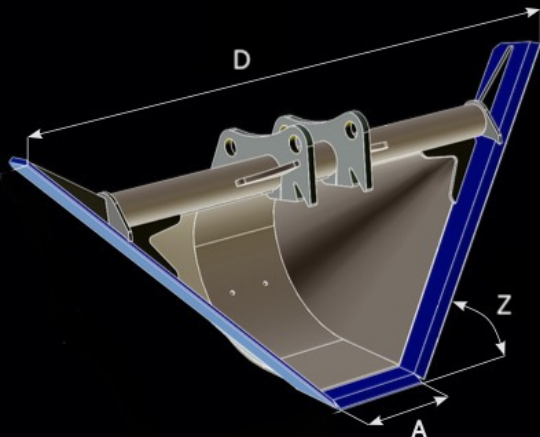
**12,5-19 ton
excavator bucket**



| Code | Z Degree | A(mm) | D(mm) | G(mm) | Weight (kg) | Capacity (Lt) |
|-----------|----------|-------|-------|-------|-------------|---------------|
| TRP-050 | 45 | 500 | 2901 | 981 | 601 | 1000 |
| TRP-50-52 | 52 | 500 | 2301 | 981 | 551 | 880 |
| TRP-50-60 | 60 | 500 | 1901 | 981 | 521 | 750 |
| TRP-50-39 | 39 | 500 | 3501 | 981 | 651 | 680 |



**19-26 ton
excavator bucket**



| Code | Z Degree | A(mm) | D(mm) | G(mm) | Weight (kg) | Capacity (Lt) |
|-------------|----------|-------|-------|-------|-------------|---------------|
| TRP-050-1 | 45 | 500 | 3501 | 1251 | 781 | 1401 |
| TRP-50-52-1 | 52 | 500 | 2801 | 1251 | 701 | 1201 |
| TRP-50-39-1 | 39 | 500 | 4251 | 1251 | 851 | 1601 |



**26-43 ton
excavator bucket**